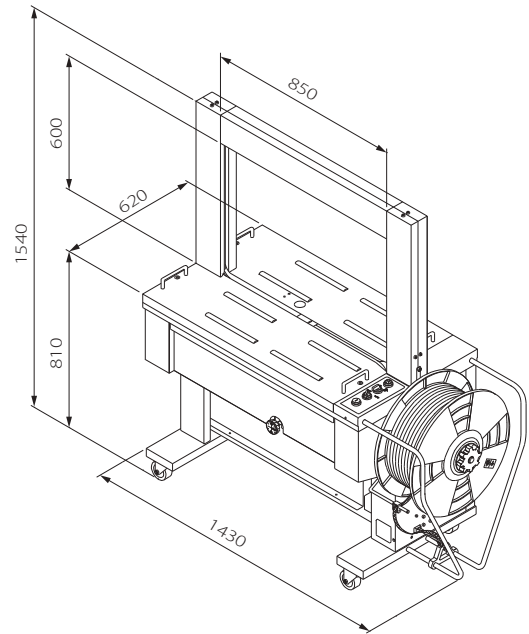


Economy Machine TP-6000

Affordable Choice for Every Budget

TP-6000 is an economy automatic strapping machine for PP strapping. Easy operation and simple maintenance. The proven quality and performance make TP-6000 the most cost effective solution for general applications.



Main Features

Lubrication Free Strapping Head

Robust mechanism design and high engineering standard ensure excellent durability of the machine. No lubrication is required for the strapping head. Therefore, it minimizes the maintenance and saves the cost. Easy maintenance.

External Mechanical Tension Control

Strap tension can be easily and accurately set with the dial in the front of the machine. Easy operation.

Multiple Methods of Cycle Initiation

The machine can be operated by several methods, such as foot pedal switch, start switch, or ball activated table switch. Easy operation.

Affordable Choice for Every Budget

The very competitive price does not come at expense of quality.

Options

- Short feed sensor
- Smoke exhaust system with carbon filter
- Table without free roller
- PU casters (2 free and 2 with brake)
- Stainless steel frame SUS 304 (TP-6000S)
- CE version (TP-6000CE, TP-6000CES)

Arch Sizes

H \ W	650	850	1050	1250	1450	1650
400	✓	✓	✓	✓	✓	✓
600	✓	Ⓢ	✓	✓	✓	✓
800		✓	✓	✓	✓	✓
1000		✓	✓	✓	✓	✓
1200		✓	✓	✓	✓	✓

Ⓢ Standard size: 850 mm (W) x 600 mm (H)

- ✓ means available arch size
- More arch sizes are on request

Technical Data

Capacity	Up to 27 cycles/minute
Strap Width	8 mm, 9 mm, 12 mm, or 15.5 mm
Tension Range	7 - 70 kg (CE version: up to 45 kg)
Weight	220 kg
Electrical Requirements	110V, 220V, 230V, 240V 50/60Hz 1PH 220V, 380V, 400V, 415V 50/60Hz 3PH